

# Lumicor

## FABRICATION DRAWING SUBMITTALS

----

500.06 CEILING FIN FEATURE .236 BEND RIGHT----- 10/04/2024

SALES CONTACT - ----

DRAFTER - ----

TABLE OF CONTENTS:	APPROVAL:	DATE:
PG 1 of 3: Overall Assembly Drawings	_____	_____
PG 2 of 3: Detailed Fabrication Details	_____	_____
PG 3 of 3: Parts Drawings	_____	_____

**Please take your time to review these drawings!**

I, \_\_\_\_\_ (Print Name) for \_\_\_\_\_ (List Company) on \_\_\_\_\_ (Date)  
do here by approve the following drawings and by doing so take full responsibility for any errors that may arise here after and will be responsible for the cost of any corrections here after

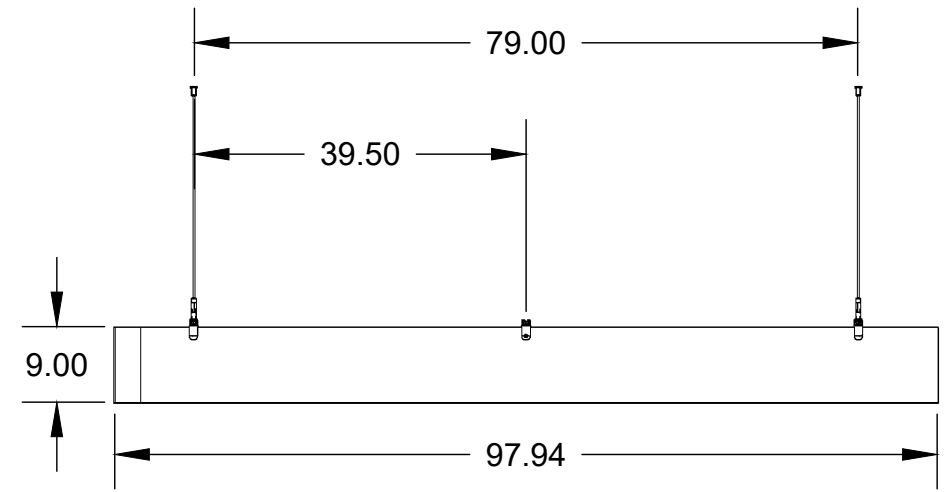
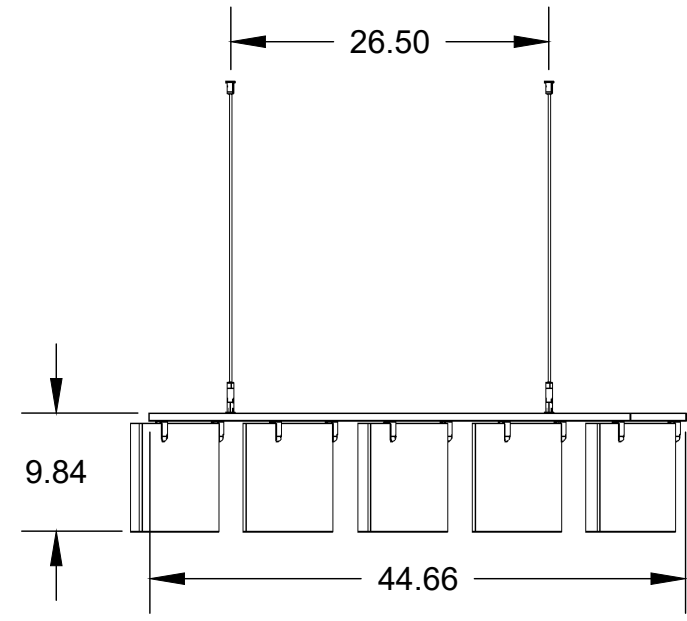
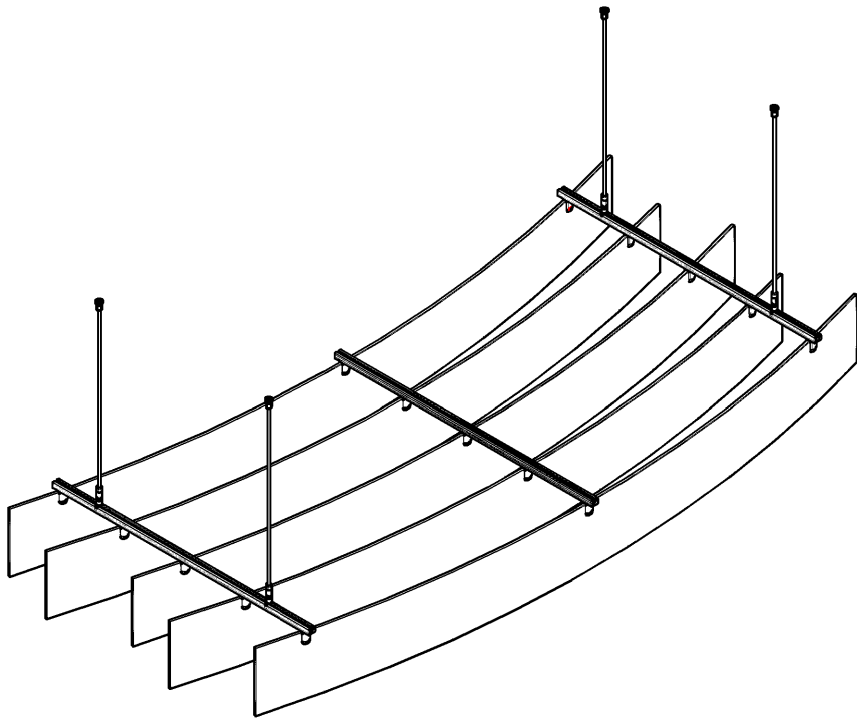
Revision Notes:

\_\_\_\_\_  
\_\_\_\_\_

TOLERANCES:  
CUTTING(ROUTER/WATERJET/SAW):  $\pm \frac{1}{16}$ "  
SEAMING:  $\pm \frac{1}{8}$ "  
THERMOFORMING:  $\pm \frac{1}{4}$ "  
IMAGE/DECOR ALIGNMENT  $\pm \frac{1}{2}$ "

NOTES:  
\_\_\_\_\_  
\_\_\_\_\_  
\_\_\_\_\_  
\_\_\_\_\_

CONTACT INFORMATION:  
sales@lumicor.com  
Toll Free: 1.888.LUMICOR(586-4267)  
Fax: 1.425.277.1872



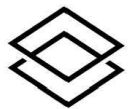
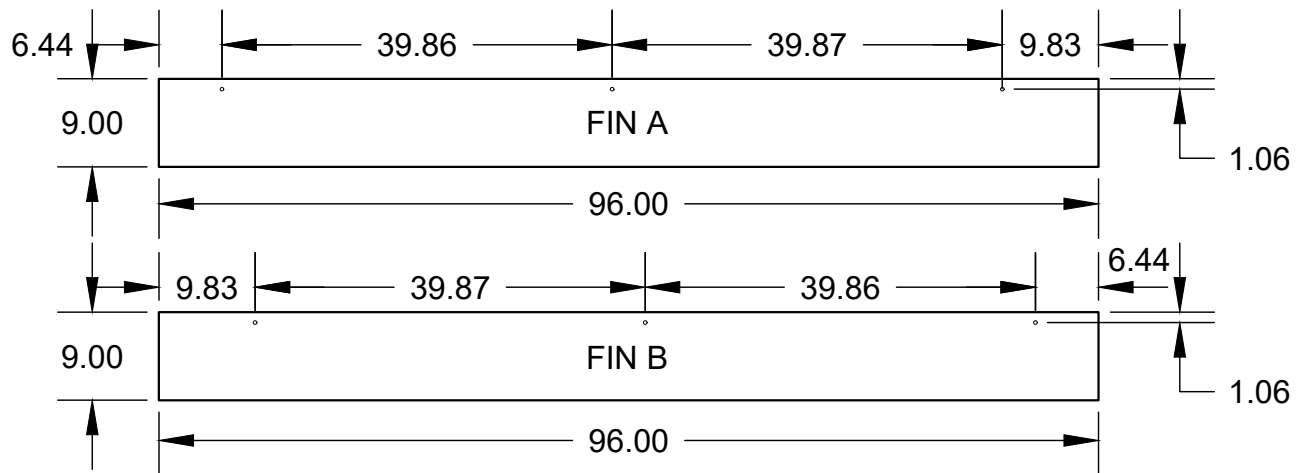
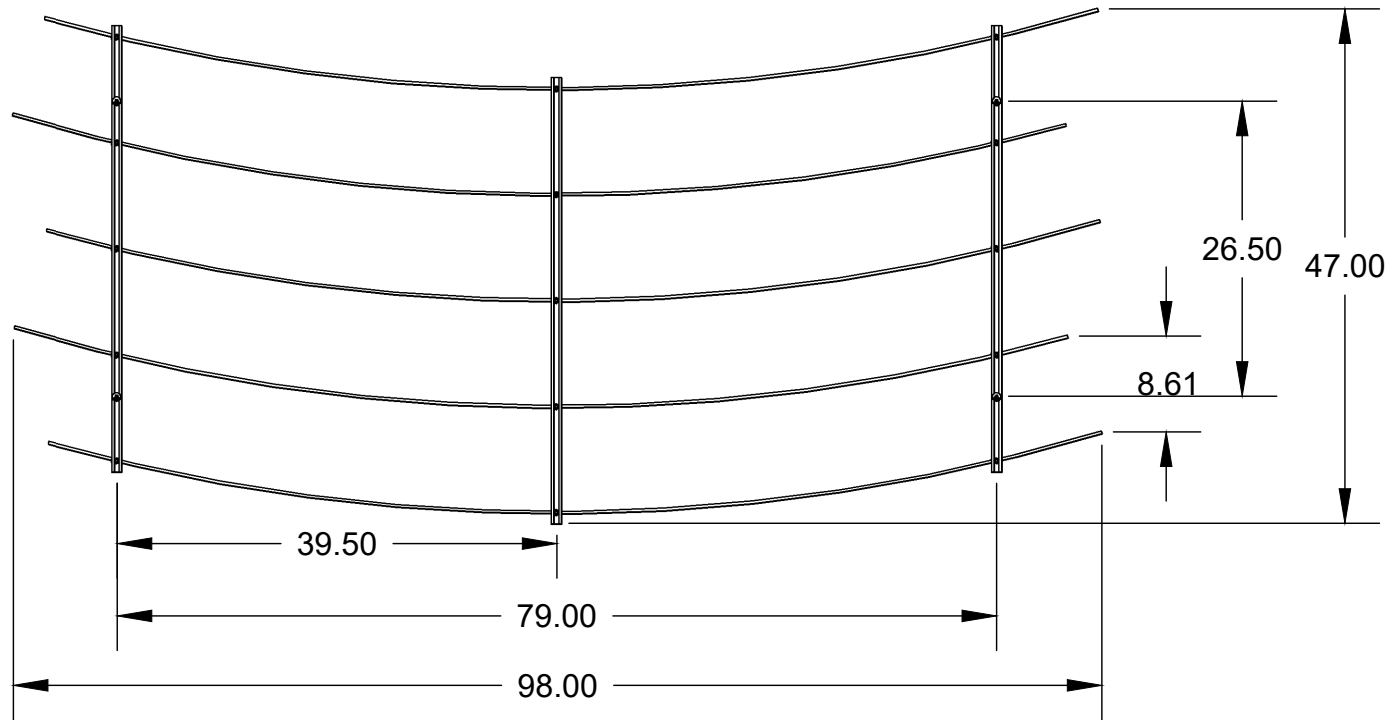
# FIN CEILING FEATURE

500.06 | Bend Right

These drawings have not been reviewed and approved by the architect and cannot ever be used for construction purposes. These drawings are for the exclusive use of Lumicor. Any use of these drawings by others will be at their own risk and lumicor will not be responsible for issues that may arise from their use.

© Lumicor 2019 — All Rights Reserved. For more information, visit [www.lumicor.com](http://www.lumicor.com) or call 1.888.LUMICOR (888.586.4267)

Solution 500.06
10/04/2024
Page 1 of 4



Lumicor.

## FIN CEILING FEATURE

500.06 | Bend Right

These drawings have not been reviewed and approved by the architect and cannot ever be used for construction purposes. These drawings are for the exclusive use of Lumicor. Any use of these drawings by others will be at their own risk and lumicor will not be responsible for issues that may arise from their use.

© Lumicor 2019 — All Rights Reserved. For more information, visit [www.lumicor.com](http://www.lumicor.com) or call 1.888.LUMICOR (888.586.4267)

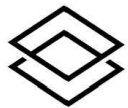
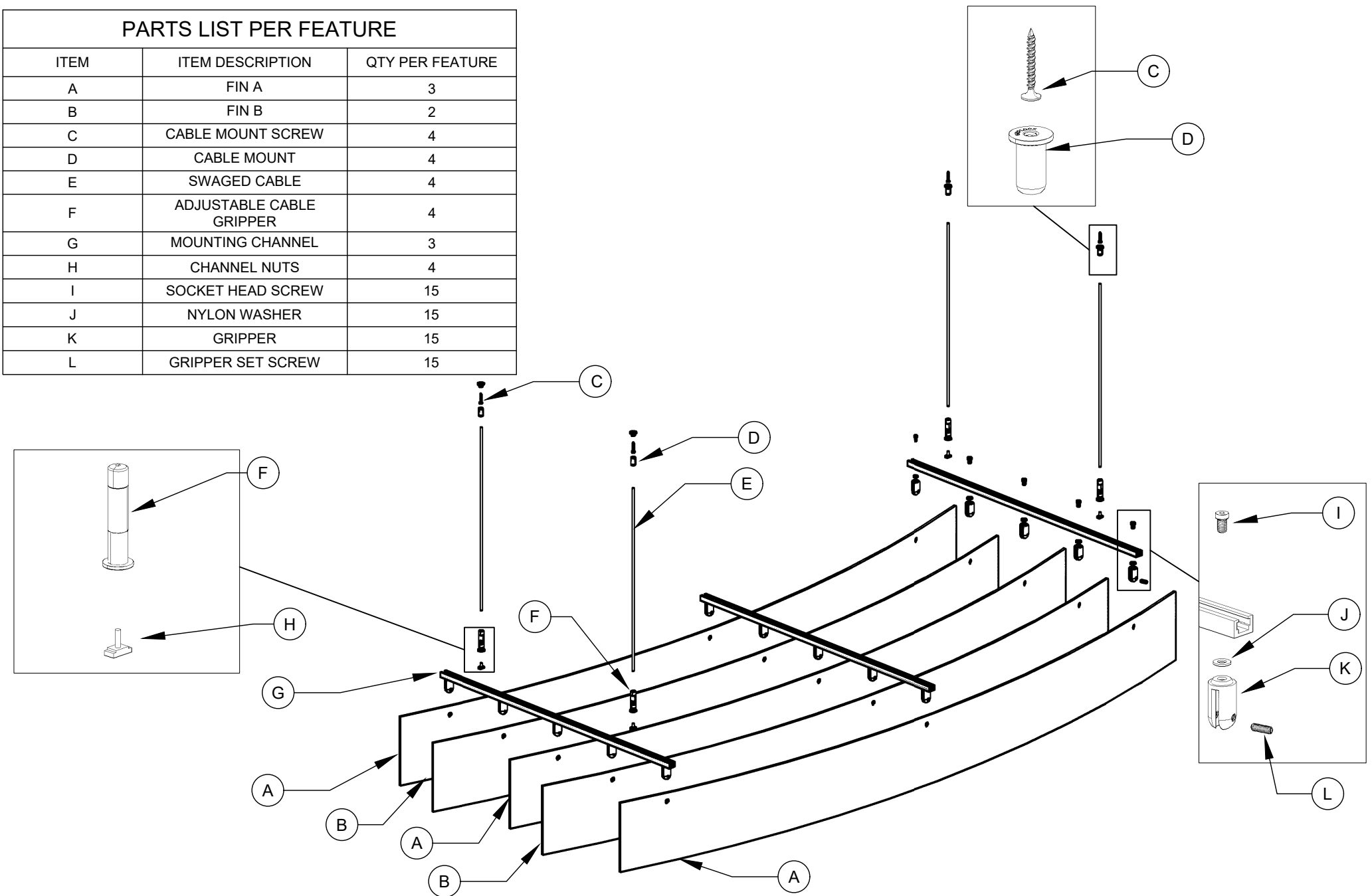
Solution  
500.06

10/04/2024

Page 2 of 4

## PARTS LIST PER FEATURE

ITEM	ITEM DESCRIPTION	QTY PER FEATURE
A	FIN A	3
B	FIN B	2
C	CABLE MOUNT SCREW	4
D	CABLE MOUNT	4
E	SWAGED CABLE	4
F	ADJUSTABLE CABLE GRIPPER	4
G	MOUNTING CHANNEL	3
H	CHANNEL NUTS	4
I	SOCKET HEAD SCREW	15
J	NYLON WASHER	15
K	GRIPPER	15
L	GRIPPER SET SCREW	15



Lumicor.

## FIN CEILING FEATURE

500.06 | Bend Right

These drawings have not been reviewed and approved by the architect and cannot ever be used for construction purposes. These drawings are for the exclusive use of Lumicor. Any use of these drawings by others will be at their own risk and lumicor will not be responsible for issues that may arise from their use.

© Lumicor 2019 — All Rights Reserved. For more information, visit [www.lumicor.com](http://www.lumicor.com) or call 1.888.LUMICOR (888.586.4267)

Solution  
500.06

10/04/2024

Page 3 of 4

## INSTALLATION INSTRUCTIONS

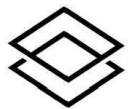
1. DETERMINE CEILING MOUNT LOCATIONS PER STANDARD 26.50" X 79.00" FOUR CORNER RECTANGLE LAYOUT.
2. LOCATE CABLE MOUNT (D), UNSCREW TOP PORTION FROM BOTTOM. INSERT CABLE MOUNT SCREW (C) THROUGH TOP HALF OF CABLE MOUNT (D) AND SECURE AT DESIRED CEILING MOUNT LOCATION. REPEAT WITH EACH CABLE MOUNT AT ALL MOUNTING LOCATIONS.
3. INSERT SWAGED CABLE (E) INTO BOTTOM HALF OF CABLE MOUNT (D) MAKING SURE THAT IT HAS BEEN SECURELY CAPTURED. SCREW BOTTOM PORTION OF CABLE MOUNT (D) INTO TOP PORTION OF CABLE MOUNT (D). REPEAT AT ALL MOUNTING LOCATIONS.
4. ASSEMBLY WILL BE BUILT UPSIDE-DOWN. LAY THE MOUNTING CHANNELS (G) ON THE FLOOR APPROXIMATELY 39.50" APART, WITH GRIPPERS POINTING TOWARD CEILING. (NOTE: THERE ARE NO GRIPPER NUTS OR CABLES FOR THE MIDDLE GRIPPER MOUNTING CHANNEL [G] ) BACK OUT SET SCREWS ON ALL GRIPPERS TO OPEN SLOTS, PREPARING THEM TO ACCEPT FIN.
5. (NOTE: TO ENSURE FINS STAY PROTECTED THROUGH INSTALLATION, IT IS RECOMMENDED THAT FINS ARE INSTALLED WITH PROTECTIVE SLEEVE REMAINING IN PLACE UNTIL ALL JOBSITE ACTIVITY HAS BEEN COMPLETED.) ON AN "A" FIN, CAREFULLY CUT AWAY A SMALL NOTCH OF PROTECTIVE SLEEVE FROM AREA AROUND EACH FIN HOLE. PLACE FIN INTO FIRST ROW OF OPEN GRIPPER SLOTS ON MOUNTING CHANNELS (G), POSITION FIN HOLES INSIDE OF GRIPPERS. SLOWLY TIGHTEN EACH GRIPPER SCREW, MAKING SURE THE SCREW PASSES THROUGH THE HOLE SECURELY. REPEAT WITH EACH FIN IN THE FOLLOWING PATTERN: B, A, B, A.
6. LIFT AND FLIP ENTIRE ASSEMBLY, PLACING ON FLOOR OR TABLE, RESTING ON LOWER EDGE OF FINS.
7. ALIGN CHANNEL NUTS (H) IN FIRST AND THIRD MOUNTING CHANNELS APPROXIMATELY 6.75" FROM EDGES.
8. ON EACH CHANNEL NUT (H), SCREW ON ADJUSTABLE CABLE GRIPPER (F).
9. SLIGHTLY UNSCREW CABLE ENTRANCE CAP ON ADJUSTABLE CABLE GRIPPER (F). FEED END OF CORRESPONDING SWAGED CABLE (E) THROUGH ADJUSTABLE CABLE GRIPPER (F) UNTIL DESIRED CABLE LENGTH IS REACHED. TIGHTEN ADJUSTABLE CABLE GRIPPER CAP (F). REPEAT FOR REMAINING CABLES. TO READJUST CABLE LENGTHS, LOOSEN ADJUSTABLE CABLE GRIPPER CAP (F), READJUST CABLE LENGTH, AND RE-TIGHTEN CAP.
10. WHEN ASSEMBLY IS HANGING CORRECTLY, CUT OFF ANY EXCESS SWAGED CABLE (E) COMING OUT OF THE ADJUSTABLE CABLE GRIPPERS (F). WHEN CUTTING THE SWAGED CABLE, IT IS RECOMMENDED THAT A WIRE ROPE CUTTER RATED FOR  $\frac{3}{64}$ "- $\frac{1}{8}$ " BRAIDED WIRE IS USED.

## CLEANING AND CARE

FOLLOWING THE REMOVAL OF THE PROTECTIVE SLEEVES, IT IS RECOMMENDED THAT FINS ARE GIVEN A GENTLE CLEANING AND POLISH WITH NOVUS 1 CLEANER AND A MICROFIBER CLOTH (SOLD SEPARATELY)

FOR FURTHER INFORMATION, REFER TO OUR FULL CARE & HANDLING INSTRUCTIONS:

[lumicor.com/carehandling](http://lumicor.com/carehandling)



Lumicor.

## FIN CEILING FEATURE

500.00 | Installation Instructions

These drawings have not been reviewed and approved by the architect and cannot ever be used for construction purposes. These drawings are for the exclusive use of Lumicor. Any use of these drawings by others will be at their own risk and lumicor will not be responsible for issues that may arise from their use.

© Lumicor 2020 — All Rights Reserved. For more information, visit [www.lumicor.com](http://www.lumicor.com) or call 1.888.LUMICOR (888.586.4267)

Solution  
500.00

10/04/2024

Page 4 of 4